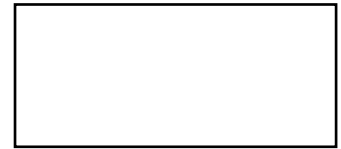




EVOLVE™ LED SERIES AREA LIGHT Medium Thin Profile



APPLICATIONS

- Site, area, and general lighting utilizing advanced LED optical system providing high uniformity, improved vertical light distribution, reduced offsite visibility, reduced on-site glare and effective security light levels.

Housing: Die-cast aluminum housing. Slim architectural design incorporates a heat sink directly into the unit ensuring maximum heat transfer, long LED life and a reduced EPA. Meets ANSI 2G vibration standards. For 3G rating contact factory.

LED and Optical Assembly: Optimized LED array based on distribution pattern. Utilizes High Brightness LEDs, 70 CRI at 5700K.

Life: System rating is 50K hours @ L70.

Ratings: UL/cUL listed, suitable for wet location. Surge protection IEEE/ANSI C62.41.2-2002. Class C LOW, IP 65 rated optical assembly & driver compartment per IEC 60529.

Mounting:

Option B: 10" mounting arm for round pole with easy-connect terminal board.

Option C: Slipfitter mounting for 2-3/8" O.D. pipe pre-wired with 24 in. leads.

Finish: Corrosion resistant polyester powder painted, minimum 2.0 mil. thickness. Standard colors: Black & Dark Bronze. RAL & custom colors available. Standard warranty applies.

Electrical: Integral surge protection Class "A" Sound Rating. 120-277 voltage available with universal electronic driver. 347V and 480V available without PER. (Contact factory for PER with 347V and 480V.) Driver power factor is >90% and THD <20% for full load.

Catalog Number:

EAMT - - - - - - 5 - A - - - - -

ORDERING NUMBER LOGIC Sample Number - EAMT05F5A1BBLCKXXX BELOW - SUGGESTED ORDER LOGIC

EAMT	0	S5	F	5	A	1	B	BLCK	XXX
PROD. ID EAMT = Evolve™ Area Medium Thin Profile	VOLTAGE 0 = 120 - 277 5 = 480 H = 347-480 Contact factory for PE with 347-480V (H or 5 above)	OPTICAL CODE See Photometric Selection Table S5 = Symmetric Square W3 = Asymmetric Wide F4 = Asymmetric Forward Throw	DISTRIBUTION ORIENTATION F = Front L = Left R = Right N = Not applicable when pattern is symmetric See below for Distribution Orientation Explanation	LED COLOR TEMP 5 = 5700K	LENS TYPE A = Acrylic	PE FUNCTION* 1 = None 2 = PE Rec. 4 = PE Rec. with Shorting Cap 5 = PE Rec. & Control *Contact factory for PE with 347-480V	MOUNTING ARM A = 10" Arm for Square Pole supplied with Terminal Block B = 10" Arm for Round Pole supplied with Terminal Block C = EXT Slipfitter 2" PIPE (2.375 in. OD) supplied with leads N = None *Terminal block not available with 480v or slipfitter mounting. Contact factory	COLOR BLCK = Black DKBZ = Dark Bronze Other colors contact factory	OPTION C = Top cover for heat shrink shroud (painted same color as luminaire)

DISTRIBUTION ORIENTATION CHART
Light pattern thrown in direction specified in relation to Pole and Fixture.
Note: Not applicable when pattern is symmetric

Optical Code	Type	Typical Initial Lumens*	Typical System Wattage 120-277	Typical System Wattage 347-480V	Photometric Curve Number
S5	Symmetric Square	12,600	205	214	See website
W3	Asymmetric Wide	6,300	102	107	See website
F4	Asymmetric Forward	5,300	85	89	See website

See distribution illustration below
*Tested under thermally stable conditions at 25°C. Reference IES LM79 methods.

IESNA CLASSIFICATIONS



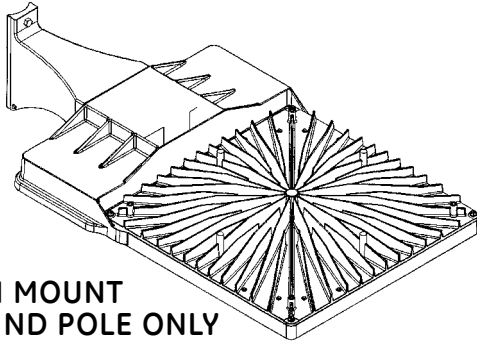
GE Lighting Systems, Inc.

EVOLVE™ LED SERIES

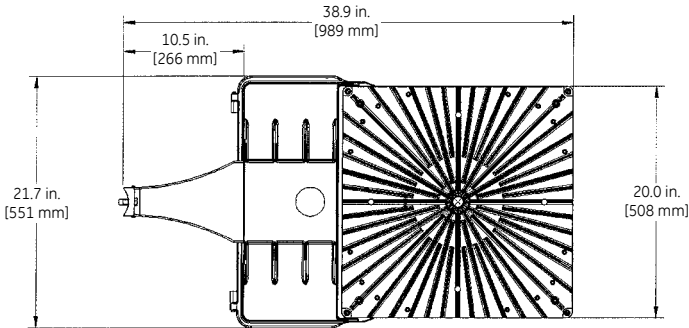
AREA LIGHT

Medium Thin Profile

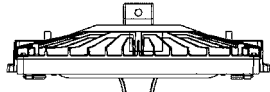
FIXTURE DIMENSIONS - 10" ARM



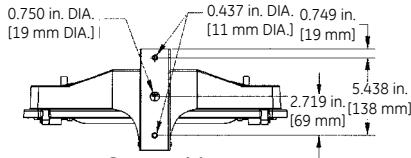
**ARM MOUNT
ROUND POLE ONLY**



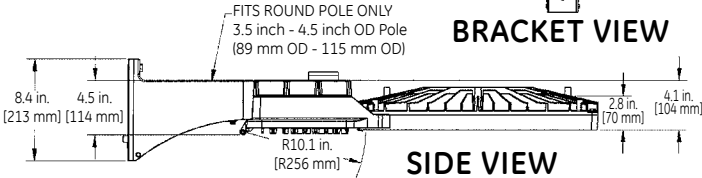
TOP VIEW



FRONT VIEW



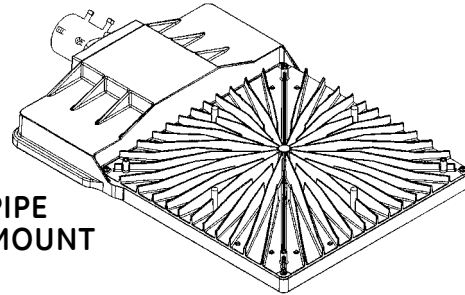
BRACKET VIEW



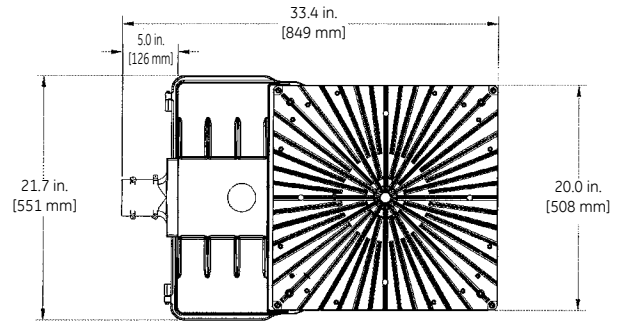
SIDE VIEW

FITS ROUND POLE ONLY
3.5 inch - 4.5 inch OD Pole
(89 mm OD - 115 mm OD)

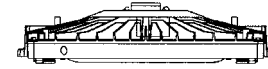
FIXTURE DIMENSIONS - SLIPFITTER ARM



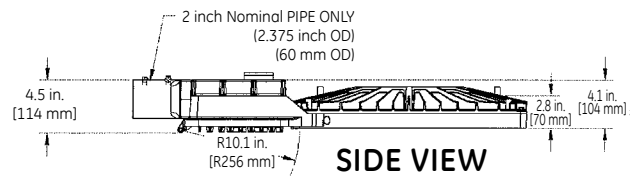
**PIPE
MOUNT**



TOP VIEW



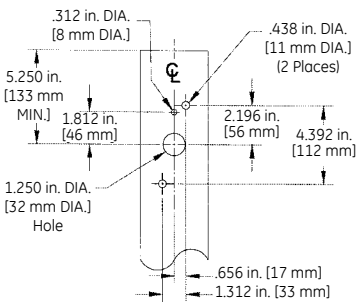
FRONT VIEW



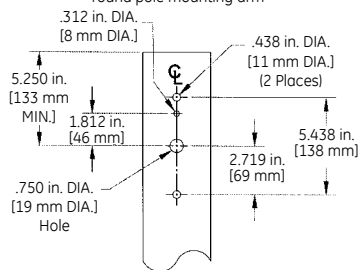
SIDE VIEW

DRILLING TEMPLATES FOR SLIPFITTER ARMS & ARM MOUNT

DRILLING TEMPLATE SQUARE POLE MOUNTING



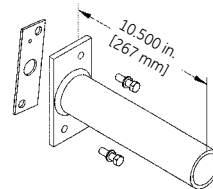
DRILLING TEMPLATE ROUND POLE MOUNTING



MOUNTING ARMS FOR SLIPFITTER

SQUARE POLE MOUNTING ARM

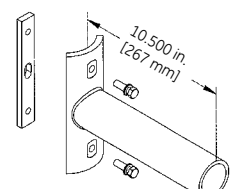
3.5 TO 4.5-inch (89 to 114mm) SQUARE
(WILL ALLOW 4 FIXTURES PER
POLE @ 90 DEGREES.)



ORDER SEPARATELY FROM FIXTURE
AS CATALOG NUMBER SPA-EAMT10BL

ROUND POLE MOUNTING ARM

3.5 TO 4.5-inch (89 to 114mm) OD
(WILL ALLOW 4 FIXTURES PER
POLE @ 90 DEGREES.)



ORDER SEPARATELY FROM FIXTURE
AS CATALOG NUMBER RPA-EAMT10BL

(FOR RETROFITS INSTALLATIONS OTHER MOUNTING PATTERNS ARE AVAILABLE)
CONTACT FACTORY FOR OTHER AVAILABLE MOUNTING PATTERNS

DATA

Approximate Net Weight
EPA with 10" mounting arm
EPA with Slipfitter

51-57 lbs 23-26 kgs
1.24 sq ft max 0.12 sq M max
1.1 sq ft max 0.10 sq M max

GE Lighting Systems, Inc.

OLP-2849
09/0815M) GELS
CS-Evolve™ LED Area Light