



# CPB CHARGER™ PRISMATIC LUMINAIRE

High Bay/Low Bay, Open or Enclosed

## APPLICATIONS

- Commercial and retail areas, assembly lines, inspection areas, production bays, storage and warehouse areas

## SPECIFICATION FEATURES

- 1598 Certified for Indoor Locations
- Certified for Indoor Locations
- UV Stabilized acrylic reflector
- Heavy-duty steel ballast housing with standard white paint finish
- Easy to install, threaded, hanger hub
- Optional steel hook for use with eye bolt hanging
- Bracket mount version allows for field adjustable light distribution - flexible spacing criterion (SC)
- Flush mounted version with conical lens for low bay applications
- Safety chain provisions
- Mogul base socket -E39 standard
- Shipped as components: Ballast, Optical.
- 1 Year Standard warranty
- *Pulse start system for metal halide available. See Page I-125*

## ORDERING NUMBER LOGIC

PRODUCT IDENT	COLOR	WATTAGE	LIGHT SOURCE	VOLTAGE	BALLAST TYPE	OPTICAL CODE	PHOTOMETRY CODE	MOUNTING CODE	OPTIONS
XXX = CPB = Charger Prismatic Luminaire	X W = White	XX 25 = 250 32 = 320 40 = 400	X M = MH S = HPS P = pulse start MH	X 60Hz 0 = 120/208/ 240/277 MULTIVOLT 1 = 120 2 = 208 3 = 240 4 = 277 5 = 480 D = 347 F = 120X347  50Hz 6 = 220 R = 230 Y = 240 G = 380	X See Ballast Selection Table A =Autoreg	XX V2=Open, ventilated 22-in. bracket-mount Acrylic Prismatic Reflector  C2 = 22-in. flush-mount Acrylic Prismatic Reflector with conical lens (included)  Note: Do not use open opticals with lamps specified for use in enclosed fixtures only.  Note: Lens assemblies available.	XX NA = Not Applicable	XX 12 = Pendant mounting with Charger hanger hub 15 = Aluminum Loop, Cord and Plug Part of "Power Hook". Order Receptacle/Hook Box Separately. (Not CSA/CUL) 33 = Prewire with Loop, 3-ft (0.9 Meters) #16/3 Cord, and Nema Plug (Order locking receptacle hook box separately.) 36 = Hook - Steel with 3 ft.(0.9 meters) #16/3 Cord and NEMA Plug  MODULAR PREWIRE 45 = ACS with 3-ft (0.9 meters) cord & Steel-Hook 55 = Sentinel with 3-ft (0.9 meters) cord & Steel-Hook 65 = ACS with 6-ft (1.8 meters) cord & Steel-Hook 66 = Sentinel with 6-ft (1.8 meters) cord & Steel-Hook  Note: Steel hook for use with steel 1-in. diameter eye bolt. Not for use with LOOPM or LOOPF	X F = Fusing Q= Non-Time Delay Automatically Switch Quartz S = Exclusionary mogul base socket for MH open fixtures T = E40 / European Socket Y = Solo Bilevel Port (See page I-100)

## PHOTOMETRIC SELECTION TABLE

V2 OPTICAL - Open & Ventilated Bracket Mounted 22 in. Reflector					
Wattage	Light Source	Ambient °C	Spacing Criterion	Socket Position	Photometric Curve
250,320*	MH,P	55	0.6	HPS-W	452052
250,320*	MH (Coated)	55	0.8	HPS-W	452053
400	MH,P	55	1.0	MH-W	452054
400	MH,P	55	1.4	HPS-W	452056
400	MH (Coated)	55	1.0	MH-N	452055
400	MH (Coated)	55	1.5	HPS-W	452057
250	HPS	55	0.7	HPS-N	452078
250	HPS	55	0.9	HPS-W	452079
400	HPS	55	0.9	HPS-N	452080
400	HPS	55	1.0	HPS-W	452081
C2 OPTICAL - Flush Mounted 22-in. Reflector with Acrylic Prismatic Conical Lens					
Wattage	Light Source	Ambient °C	Spacing Criterion	Reflector Position	Photometric Curve
250,320*	MH (Coated)	55	1.9	Fixed	452075
400	MH (Coated)	40	2.3	Fixed	452076

\*320 watt is ED Pulse Start MH

## REFERENCES

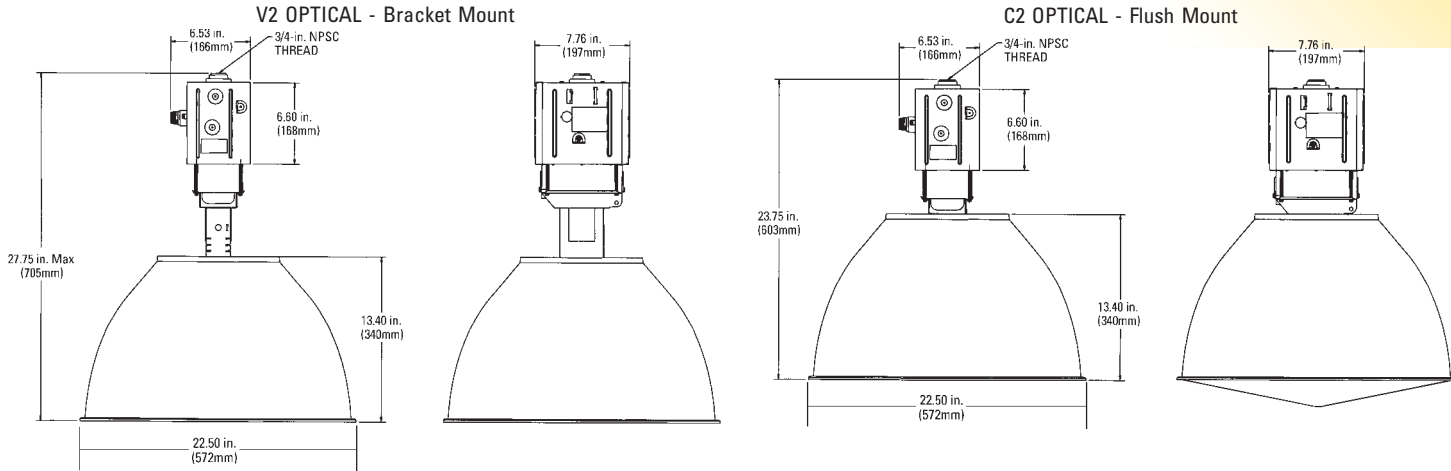
See Page I-102 for start of Accessories.  
See Page I-116 for Component Ordering Logic.  
See Pages I-123-125 for Explanation of Options and Other Terms Used.

# CPB CHARGER™ PRISMATIC LUMINAIRE

High Bay/Low Bay, Open or Enclosed

CHARGER INDOOR LIGHTING

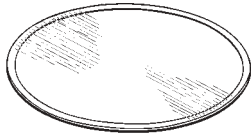
## FIXTURE DIMENSIONS



## DATA

Approximate Net Weight Ballast and Optical	lbs 21-25	kgs 9.5-11.5
---	--------------	-----------------

## Door Assemblies (Order Separately)

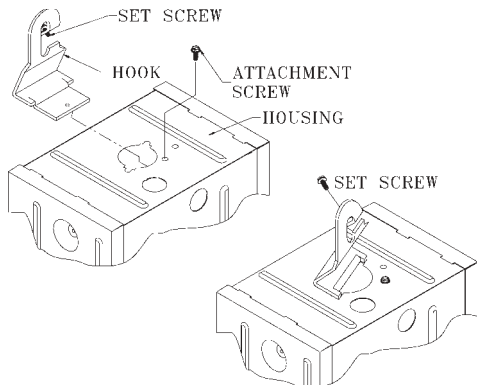


• **EAL2-GHBP**  
Clear acrylic lens for 22-in. (559mm) optical (40°C max. ambient on 400 watt fixtures)



• **EAPL2-GHBP**  
Clear acrylic prismatic conical lens for 22-in. (559mm) optical (40°C max. ambient on 400 watt fixtures)

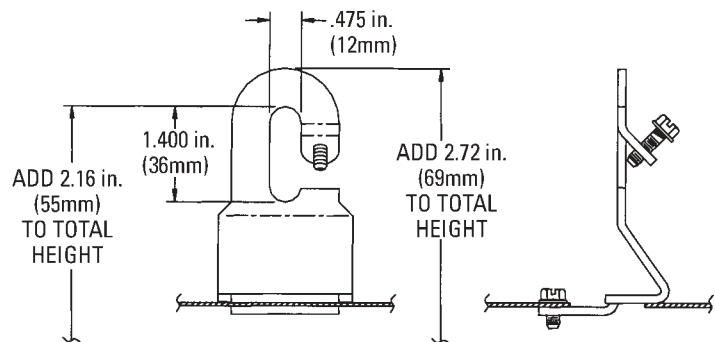
## Steel Hook Mounting Option



When steel hook is ordered, it is supplied factory installed in lieu of threaded 3/4" twist-on housing. Cord exits side of ballast housing.

**Note:** For field installed hook, cord, plug, see accessories.

## Steel Hook as referred to in Mounting Code



Steel hook for use with steel 1-in. diameter eye bolt. Not for use with LOOPM or LOOPF

**Note:** To order as an accessory use catalog number - **HOOKS**.

## BALLAST SELECTION TABLE

Wattage	Light Source	Ballast Type / Voltage									
		60HZ			50HZ						
		Multivolt	120, 208 240, 277 480	347	120 x 347	220	220	230	240	380	
250	MH	A	A	A	A	C/F	C/F	C/F	C/F	C/F	
400	MH	A	A	A	A	C/F	C/F	C/F	C/F	C/F	
<b>PULSE START METAL HALIDE LIGHT SOURCE BALLAST SELECTION TABLE</b>											
250	P (MH)	A	A	A	A	N/A	N/A	N/A	N/A	N/A	
320	P (MH)	A	A*	C/F	C/F	C/F	C/F	C/F	C/F	C/F	
400	P (MH)	A	A	A	A	C/F	C/F	C/F	C/F	C/F	

**NOTE:** N/A = Not Available  
C/F = Contact Factory

### CANADIAN NOTES:

- \*480 volt, Consult Factory
- 1. "A", Autoreg available 120, 277 or 347 volts only
- 2. Multivolt not available.